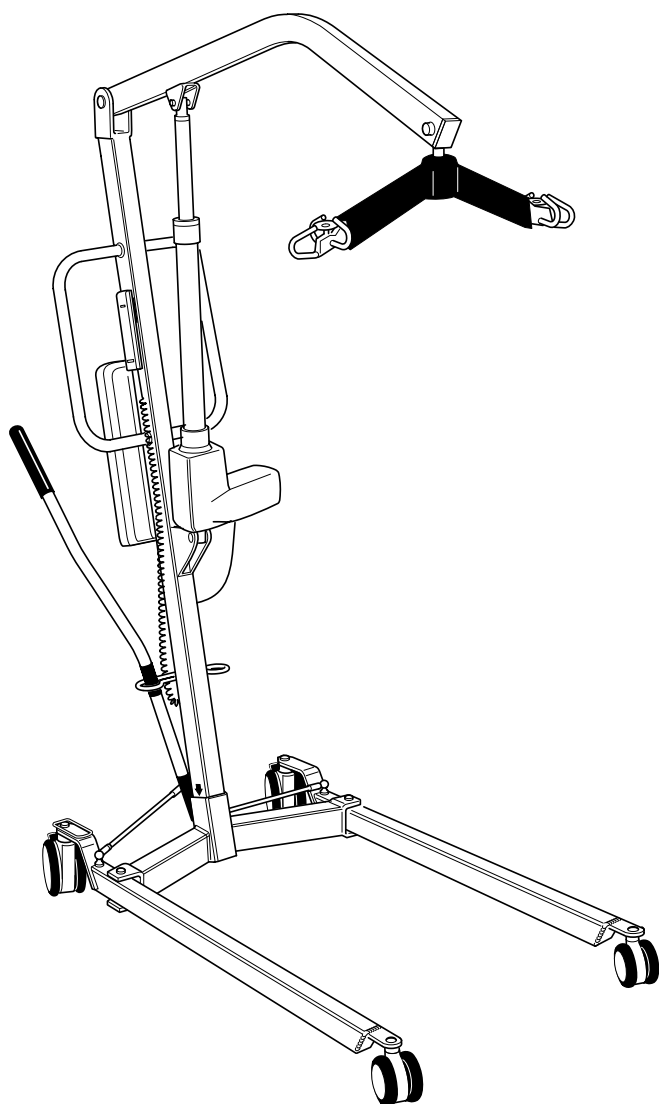


# Oxford<sup>®</sup>

## Oxford<sup>®</sup> Maxi 170 Parts Manual



Redefining patient handling

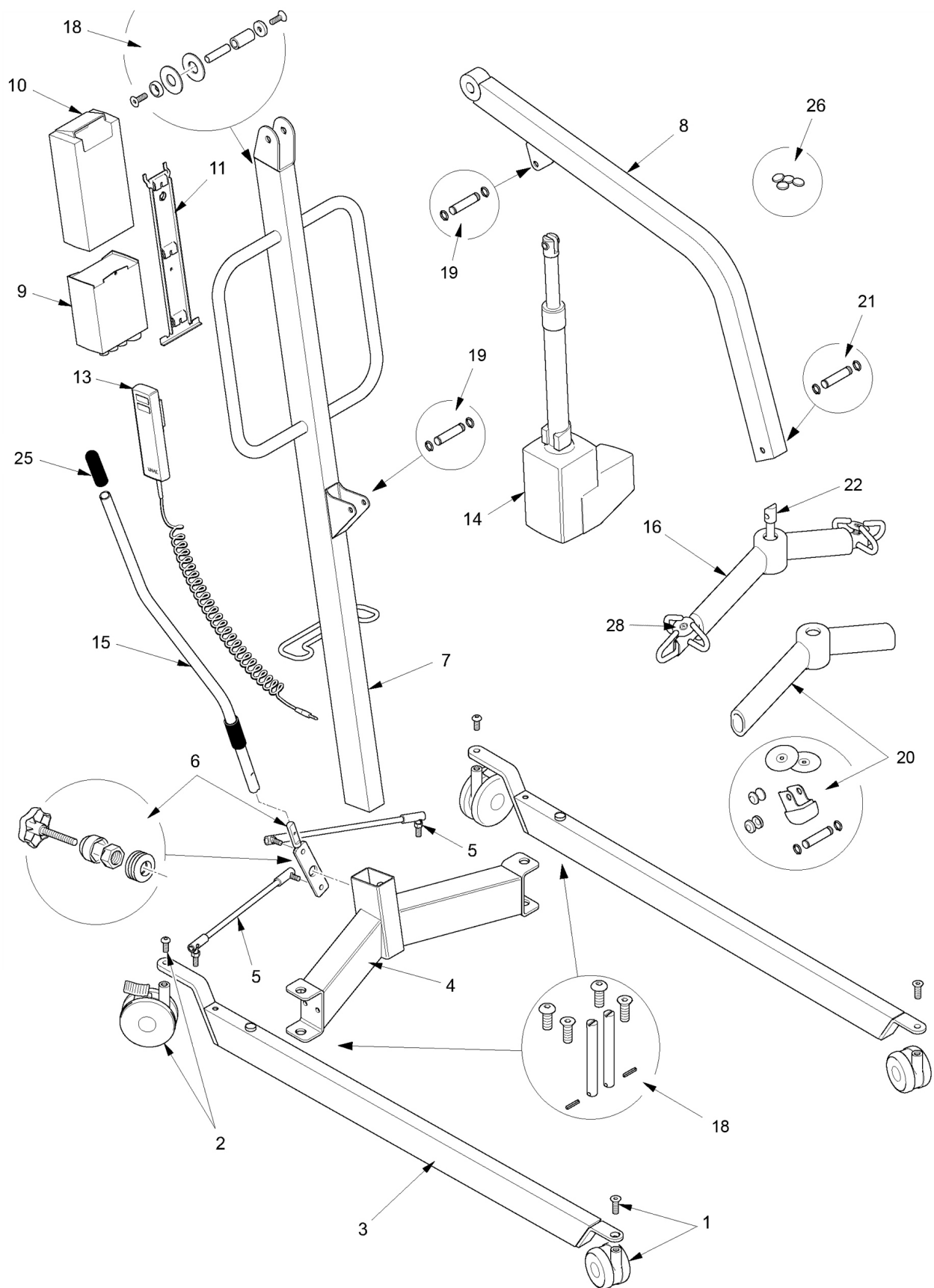
NO.	PART NUMBER	DESCRIPTION	QTY	SERIAL NO.
1	091388.10000	Castor kit:75mm nylon castor, M8 CSK screw	1	
2	091388.10001	Rear castor kit: 100mm nylon braked castor M10 button head bolt	1	
3	211001.10005	Leg fabrication: Suitable for left & right config (Not inc. castors)	1	
4	211001.10011	Cross member assembly, including nutsert	1	
5	EM-2680	Link rod	1	
6	232388.10000	Pivot plate assy: inc. belville washers, circlip, cap, & locking knob	1	
7	211001.10008	Mast complete	1	
8	211709.10002	Boom complete	1	
9	172001.10005	Linak controller	1	
10	000172.10000	Linak battery	1	
11	560000.10000	Linak battery and controller bracket and fixings	1	
12	133001.10001	Linak battery charger and desk top unit (not shown)	1	
13	293388.10000	Linak hand control	1	
14	182001.10002	Linak actuator (300mm stroke)	1	
15	232388.10007	Leg adjuster handle	1	
16	808003.10021	Spreader bar assembly	1	

#### KITS & FIXINGS COMPLETE

17	232388.10005	<b>Mast &amp; boom fixing kit:</b> Nylon washers (x2), Nylon pivot tube (x1), Steel pivot pin (x1), Washers (x2), M8 CSK bolt (x2)	1	
18	232388.10003* *Includes item EM-2680	<b>Leg fixing kit:</b> M6x10 SKT screws (x2), M4x20 pins (x2), Washers (x4), Washer springs (x4), Rod link assembly (x2), Leg pivot pin (x1)	1	
19	232388.10004	<b>Actuator fulcrum fixing kit:</b> Fixing pins (x2), Circlips (x4)	1	
20	642388.10001	<b>Spreader bar service kit:</b> Padding (x1), Fulcrum pin caps (x2), Boom end cap (x1), Cap washers (x2), Circlips (x2), Fulcrum pin (x1), Sling retaining plates complete (x2)	1	
21	232388.10018	<b>Fulcrum pin kit</b>	2	
22	0Y0381	<b>Spreader bar washer and o-ring spares kit</b>	1	
23	808003.10173	<b>Leg adjuster service tool (not shown)</b>	1	

#### COMMONLY REQUIRED ITEMS

24	000412.10008	Decal Set Electric (not shown)	1	
25	655530.10000	Handle grip: leg adjuster handle	10	
26	655530.10002	Circlip caps	10	
27	000384.11000	Knob lever handle fixing screw (not shown)	1	
28	808003.10013	Sling retaining clip	1	
29	EM/3683	Straight line steering device (not shown)	1	





---

**Joerns Healthcare Ltd**

Drakes Broughton Business Park, Worcester Road

Drakes Broughton, Pershore, Worcestershire

WR10 2AG, United Kingdom

Tel: +44 (0)844 811 1156

Fax: +44 (0)844 811 1157

[info@joerns.co.uk](mailto:info@joerns.co.uk)

[www.joerns.co.uk](http://www.joerns.co.uk)