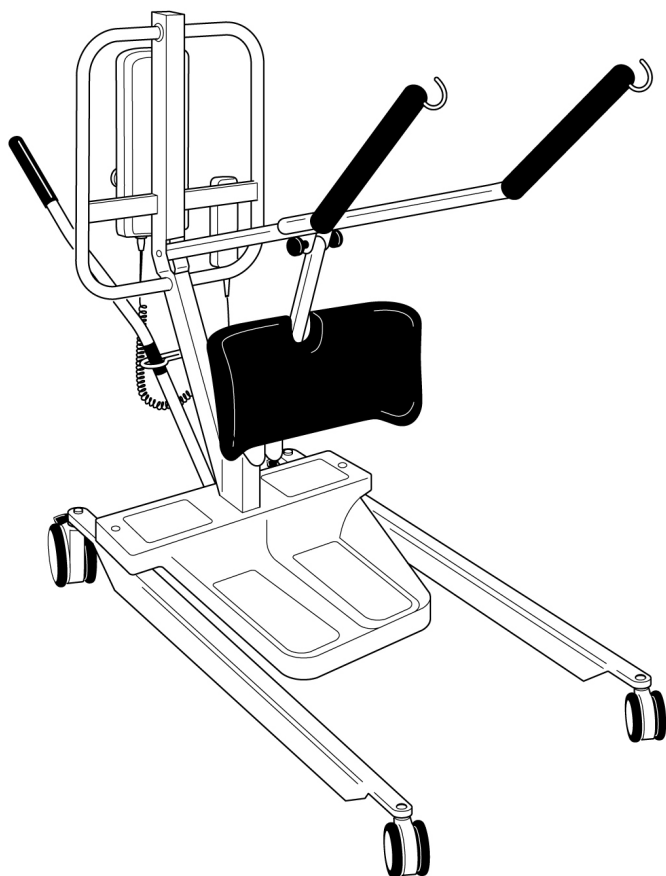


# Oxford<sup>®</sup>

## Oxford<sup>®</sup> Standard 140 Parts Manual



 Joerns  
Healthcare

Redefining patient handling

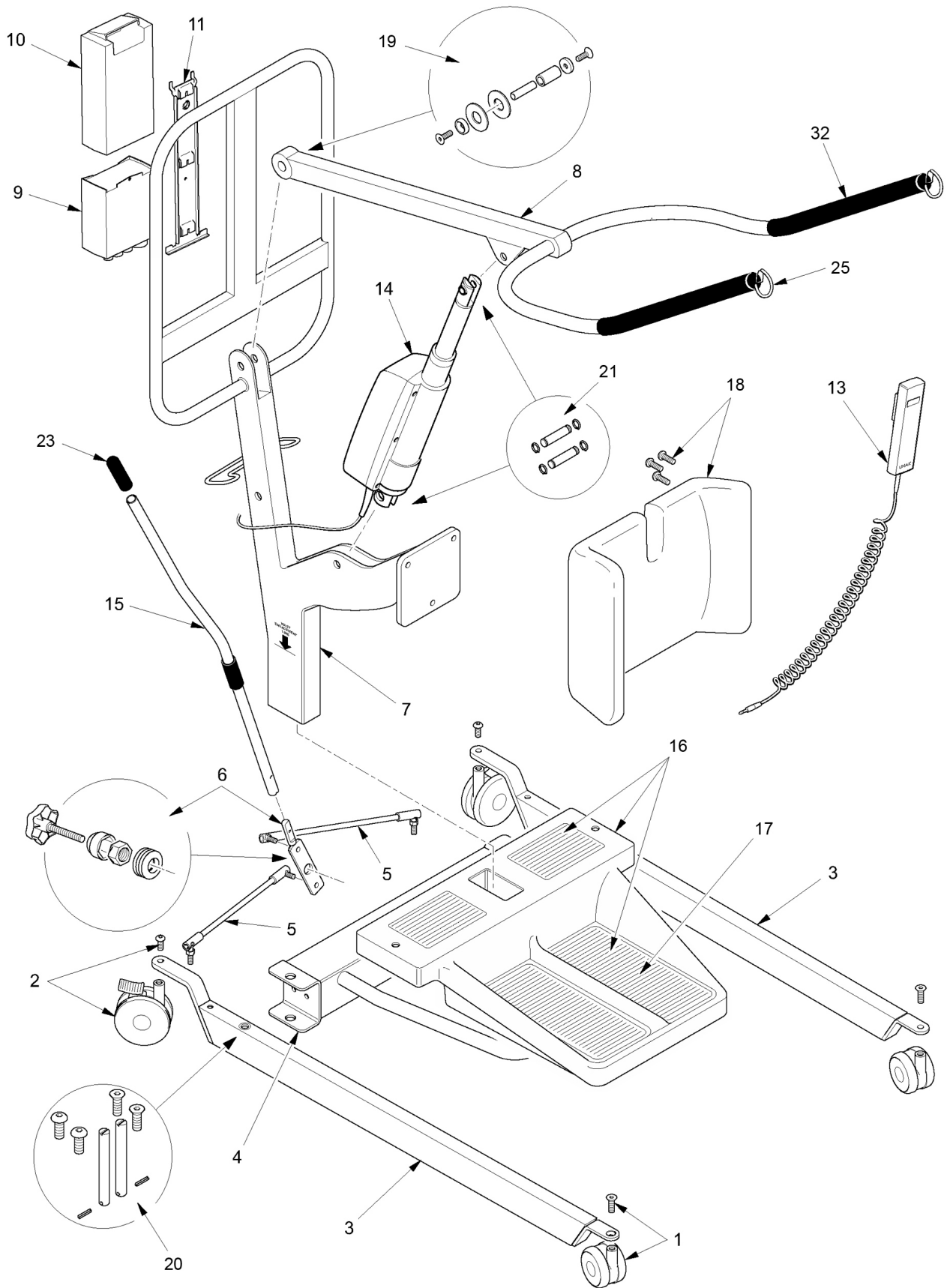
NO.	PART NUMBER	DESCRIPTION	QTY	SERIAL NO.
1	091388.10000	Castor kit:75mm nylon castor, M8 CSK screw	1	
2	091388.10001	Rear castor kit: 100mm nylon braked castor M10 button head bolt	1	
3	417641.11001	Leg fabrication: Suitable for left & right config (not inc. castors)	1	
4	808003.10000	Cross member assembly, including nutsert	1	
5	EM-2679	Link rod	1	
6	232388.10014	Pivot plate assy: inc. belville washers, circlip, cap, & locking knob	1	
7	457641.11001	Mast complete	1	
8	808003.10094	Boom complete	1	
9	172001.10002	Linak controller	1	
10	000172.10000	Linak battery	1	
11	560000.10000	Linak battery and controller bracket and fixings	1	
12	133001.10001	Linak battery charger and desk top unit (not shown)	1	
13	293388.10000	Linak hand control	1	
14	182001.10003	Linak actuator (250mm stroke)	1	
15	232388.10015	Leg adjuster handle	1	

#### KITS & FIXINGS COMPLETE

16	533388.10001	<b>Foot tray fixings and non-slip pads</b>	1	
17	SA/2569	<b>Non-slip pad - LH</b>	1	
	SA/2570	<b>Non-slip pad - RH</b>	1	
18	426388.10000	<b>Knee pad and fixings:</b>	1	
19	232388.10009	<b>Mast &amp; boom fixing kit:</b> Nylon washers (x2), Nylon pivot tube (x1), Steel pivot pin (x1), Washers (x2), M8 CSK bolts (x2)	1	
20	232388.10011 *Includes item EM-2679	<b>Leg fixing kit:</b> Washers (x2), Washer springs (x2), Circlips (x2), Rod link assembly (x2), Leg pivot fabrication (x2)		
21	232388.10004	<b>Acuator fulcrum fixing kit:</b> Fixing pins (x2), Circlips (x4)	1	

#### COMMONLY REQUIRED ITEMS

22	000412.10006	Decal set (not shown)	1	
23	655530.10000	Handle grip: leg adjuster handle	10	
24	000384.11000	Knob lever handle fixing screw (not shown)	1	
25	SA/2692	Sling retaining clip	1	
26	EM/3683	Straight line steering device (not shown)	1	
27	323-12060	Hand grip	1	





---

**Joerns Healthcare Ltd**

Drakes Broughton Business Park, Worcester Road

Drakes Broughton, Pershore, Worcestershire

WR10 2AG, United Kingdom

Tel: +44 (0)844 811 1156

Fax: +44 (0)844 811 1157

[info@joerns.co.uk](mailto:info@joerns.co.uk)

[www.joerns.co.uk](http://www.joerns.co.uk)